



# PURITAS RGB

Tempered Glass Cover RGB Mid-Tower Case



Puritas RGB is a case for the valiant. For those who want a build that is truly of their own. For the creators. For the modding heroes. For the serious PC builders. It is a case for those who want to put their skills to the test. Fully transparent and with plenty of space for high-end components, PURITAS' limits are only your own.

## Incredible RGB Lighting

PURITAS RGB comes with 3 COUGAR Vortex RGB FCB 120 fans and a COUGAR Core Box C that supports up to 8 fans and 4 LED strips! Control the 14 lighting effects we've preset for you with the case's dedicated RGB button, or connect it to a compatible motherboard's 5V RGB connection for system-wide synchronization!

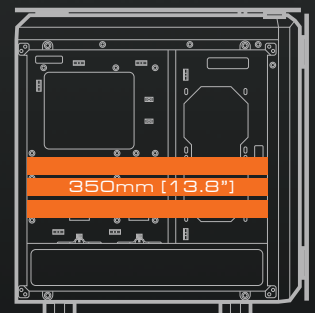


## Pure Tempered Glass

Four tempered glass covers create a black mirrored box that allows internal lighting to go out in a semi-transparent manner. This can both be used as-is, which will result in a beautiful case with a reflective finish, or in combination with the included RGB fans' lighting to create mesmerizing effects that will amaze you and your friends.

## Superior Gaming Specs

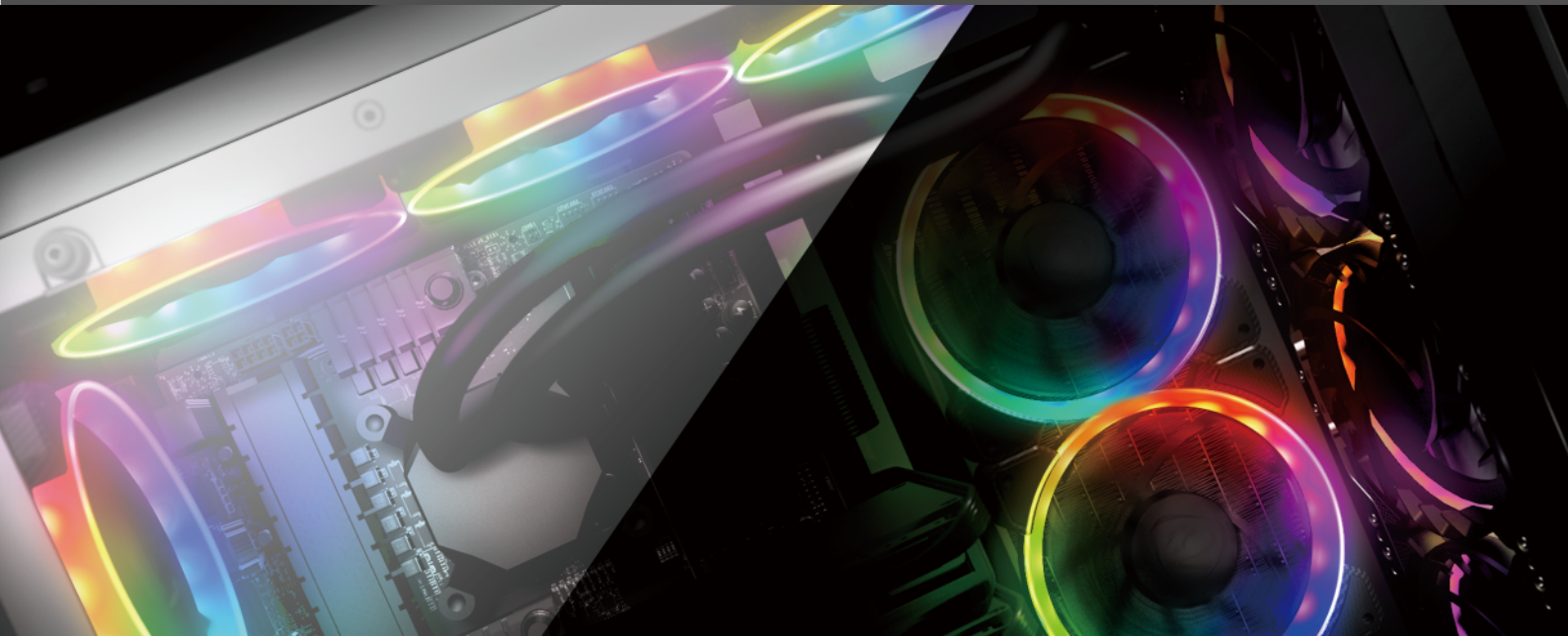
We built PURITAS RGB not only to be a beautiful case but also to be able to house a mighty computer. This shows in its excellent support for high-end gaming components. With seven expansion slots, Puritas RGB allows you to install up to three 425mm long graphics cards.





# PURITAS RGB

Tempered Glass Cover RGB Mid-Tower Case

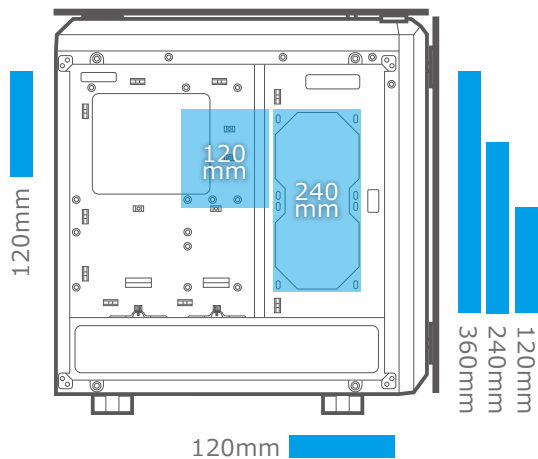


## Powerful Cooling

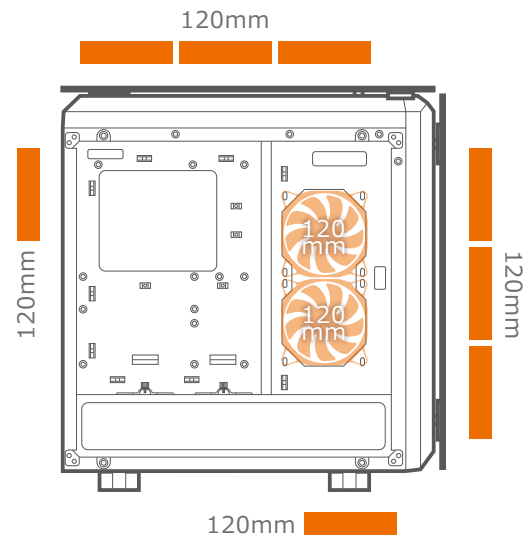
To run the latest games, you need potent components that generate lots of heat; PURITAS RGB allows you to enjoy gaming without worrying about overheating thanks to its fantastic cooling support. With the possibility of installing up to five water cooling radiators and ten fans, you will have greater leeway in designing the right solution to keep your computer well cooled!

### Water cooling radiator support Up to **5** radiators

120mm   
 240mm   
 360mm 



### Air cooling support Up to **10** fans



Case Type	Middle Tower
Motherboard Type	Mini ITX / Micro ATX / ATX
Dimension	218(W) x 520(H) x 490(D)mm 8.58(W) x 20.47(H) x 19.29(D)in
Case Drive Bays	3.5" : 2    2.5" : 4+2 (Converted from 3.5" Drive Bays)
I/O Panel	USB3.0 x 2 , Mic x 1 , Audio x 1 , RGB Control Button
Cooling Fan Support	Front : 120mm x 3 (Three Vortex RGB FCB 120 Fans Pre-installed) Top : 120mm x 3 Right Side : 120mm x 2 Rear : 120mm Bottom : 120mm

Water Cooling Radiator Support	Front : 360mm / 240mm / 120mm Top : 360mm / 240mm / 120mm Right Side : 240/120mm Rear : 120mm Bottom : 120mm
Expansion Slots	7
Max. Graphics Card Length	425mm / 16.7in
Max. CPU Cooler Height	160mm / 6.3in
PSU	Standard ATX PS2
Cable Management	Yes
RGB Lighting Control	Yes

Specifications might vary depending on the country or region of sale.